

# ENTRY LEVEL EXPOSURE UNIT *E-1000*

## Tabletop UV Exposure Unit

- POWERFUL** Power vacuum hold down provides perfect contact for quality exposures
- EXACT** Vacuum intake draws through screen stops
- CONSISTENT** Electronic ballasts for quick starts & steady UV output
- ACCURATE** Precision timer controls lights & vacuum
- STURDY** Heavy duty frame with bearing lid locks
- DEPENDABLE** .25" (.63 cm) thick optically clear glass
- PRECISE** Screens can be VRS pin registered
- GUARANTEED** 1 year warranty on manufacturer's defects
- CAPACITY** 21" x 24" (53 x 61 cm) maximum screen OD
- BRIGHT** High bulb density, 3.5" (9 cm) center to center of 4 - 24" (61 cm) 20 Watt black UV bulbs (engineered with UV meter to avoid hot spots)

E1-2124 \$1,295\*

UV exposure unit, tabletop w/ vacuum shown on top of optional Utility Cart



## Vacuum Hold-Down

Save space by fitting E-1000 on top of utility cart with light tight door ("coated screen" cabinet) or Dri-Vault 10 screen cabinet. Simply open the cabinet to take out a ready-to-go dry coated screen and place it on top of the exposure unit to burn it for printing. Save time and unnecessary footsteps.

### Options

- Utility cart for storage and mobility
- Utility cart with light tight door kit becomes a "coated screen" cabinet
- 240 Volt 50/60 HZ
- VRS pin registration
- 40 Watt high output black UV bulbs can be purchased separately for 30% faster exposure times

UC-1000 \$449\*

Optional Utility cart, includes locking casters and 5 shelves as shown

### Entry level *E-100* Light Box

- Upgradeable to *E-1000*
- Timer and ON-OFF switch
- Unfiltered UV lights
- Affordable and space saving
- See E-1000 for available options
- Includes Pressure Pad and Weight

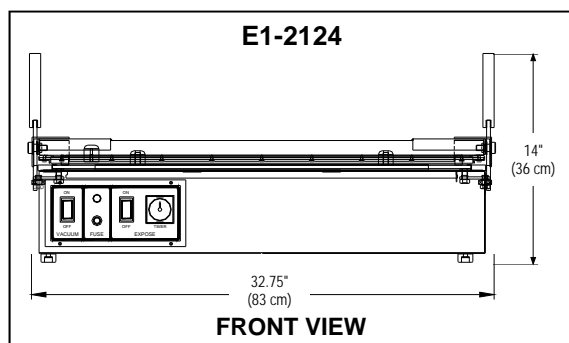
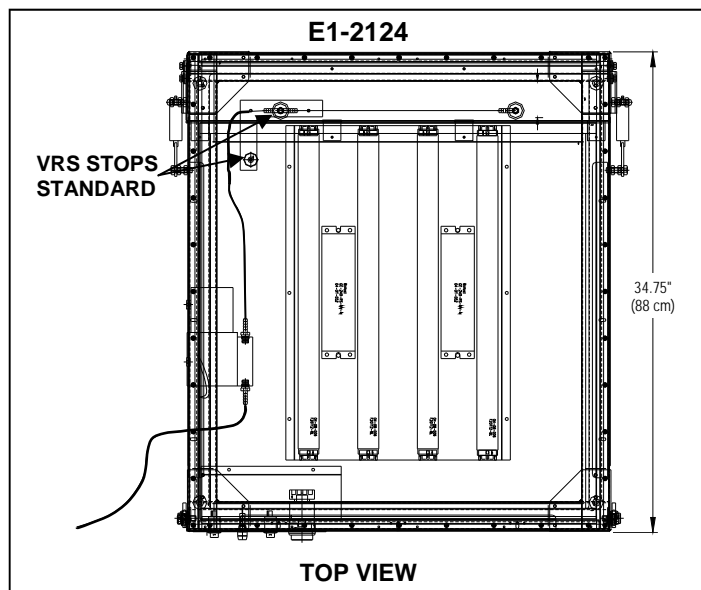


E1-2124-LB \$799\*

\*Starting List Price (USD). Price does NOT include crating and shipping charges. 6% sales tax will be added for PA billing addresses. Prices subject to change without notice.



# E-1000 UV Exposure Unit Technical Specifications



	<b>E1-2124</b>
Defect Warranty	1 Year
Maximum Screen Size	21" x 24" (53 x 61 cm)
Bulbs - Standard	(4) 20 watt T12-BL, black UV
Bulbs - High Output (purchased separately)	(4) 40 watt T12-BLHO
Power 120V (standard or high output bulbs)	120V / 2.5A NEMA 5-15P Plug
Power 240 V (standard or high output bulbs), optional	240V / 1.25A NEMA 6-15P Plug
1/16 HP Vacuum Pump, Oil-less Diaphragm	24 hg Max
Overall Width x Depth x Height (w/ lid closed)	32.75" x 34.75" x 14" (83 x 88 x 36 cm)
Overall Width x Depth x Height (w/ lid open)	32.75" x 34.75" x 35" (83 x 88 x 89 cm)
Overall Weight (uncrated) - E1-2124 Exposure unit (only)	151 lbs (68.5 kg)
Shipping Weight* - E1-2124 Exposure unit (only)	198 lbs (90 kg)
Shipping Dimensions* - E1-2124 Exposure unit (only)	40" x 36" x 22" [102 x 91 x 56 cm]
Shipping Weight* - E1-2124 w/ Utility Cart (UC-1000)	311 lbs (141 kg)
Shipping Dimensions* - E1-2124 w/ Utility Cart (UC-1000)	51" x 36" x 33" [130 x 91 x 84 cm]

\*All shipping weights and dimensions are for continental US shipping only. Call for other shipping specifications. Ex-works from Allentown PA.